

SDS 500 Specifications

SDS 500 Main Specifications

Tank volume	500 Liters (132 Gallons)
Usable Water Volume	400 Liters (105 Gallons) <i>(An additional volume of 100 L is reserved for low- and high-level security.)</i>
Weight (filled with water)	660 kg (1455 lb)
Dimensions H × W × D	2047 × 790 × 1082 mm; (80.6 × 31.1 × 42.6 in)
Floor space required	0.85 m ² (9.15 ft ²)

Pump Performances (Variable speed pumps)

Voltage/Frequency	Pump Performances
220-240V, 50/60 Hz 110-127V, 50/60 Hz	Nominal: 16-40 LPM @ 1-4 bar (*) 4-9 GPM @ 14-58 psi (*)
200V, 50/60 Hz 100V, 50/60Hz	Nominal: 16-40 LPM @1-3.5 bar (*) 4-9 GPM @ 14-50 psi (*)

(*) At 90V the performance will be reduced to 16-40 LPM @1-3 bar / 4-9 GPM @ 14-43 psi.

Electrical Specifications

Voltage/Frequency	Maximum Power Consumption	Maximum Intensity
220-240V, 50/60 Hz	2100 VA	< 9A
100-127V, 50/60 Hz	2000 VA (120V)	< 16A
	2000 VA (100V)	< 20A

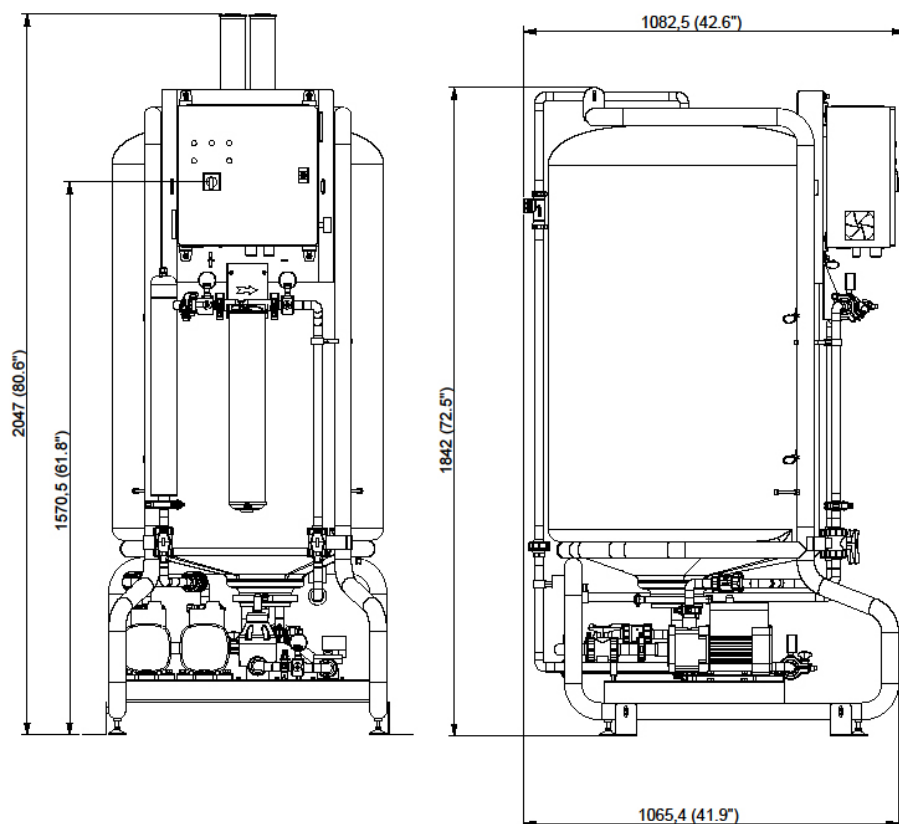
Materials

Tank	Polyethylene
Frame	Passivated steel with epoxy coating
Valves and fittings	Polypropylene, Polyamides, EPDM
Piping	Beta Polypropylene Homopolymer (Beta PP-H)
Pump wetted parts	316 SST and tungsten carbide / carbon and EPDM seals
BPR wetted parts	Polypropylene, EPDM, PTFE
Pressure gauge	INOX 316L
Other mechanical parts	Polyethylene terephthalate (PETP)

Plumbing Connections

Pure water inlet to tank	3/4" Sanitary TC
Tank drain	1 1/2" Sanitary TC
Tank loop inlet/return	1 1/2" Sanitary TC

Dimensions



SigmaAldrich.com/labwater

